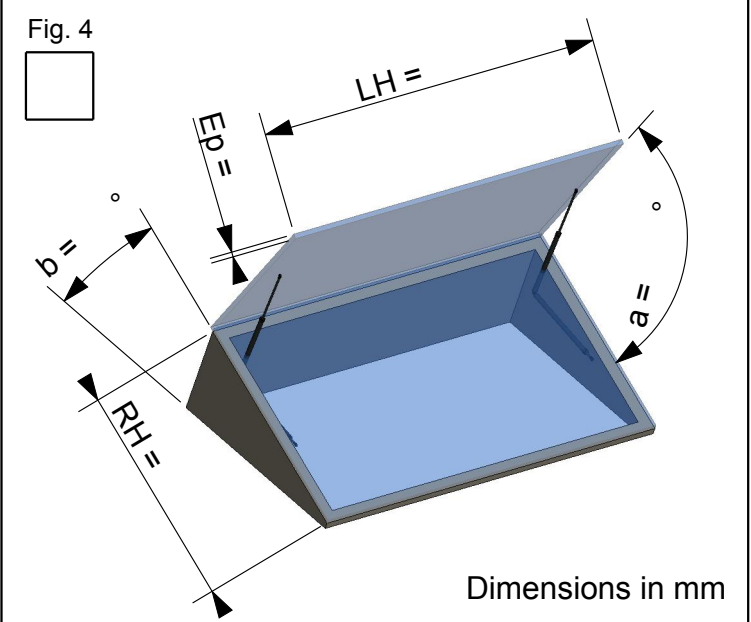
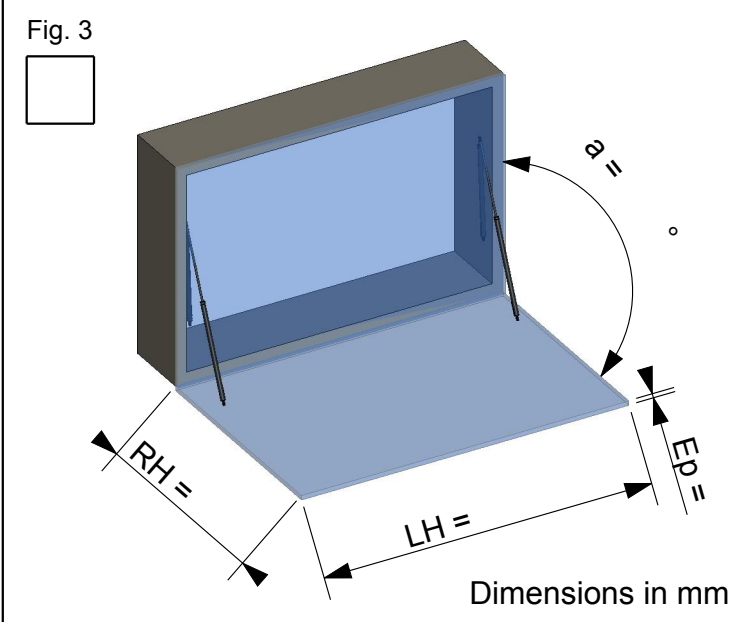
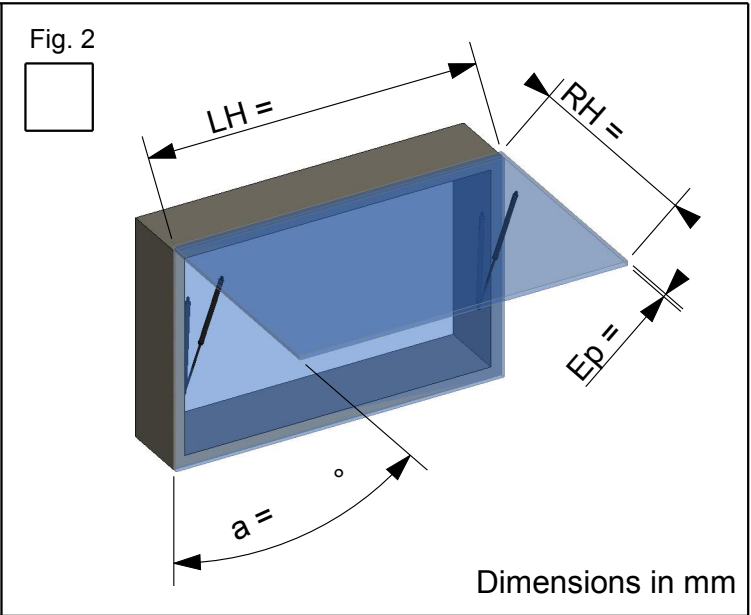
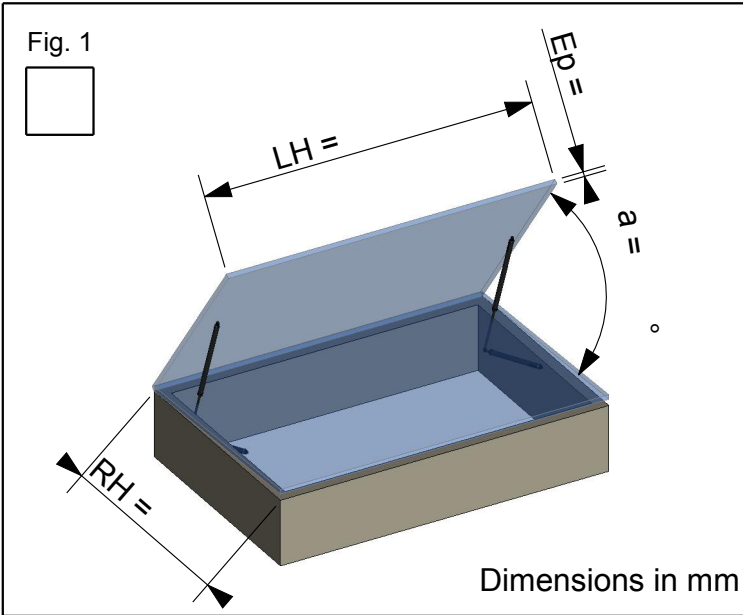
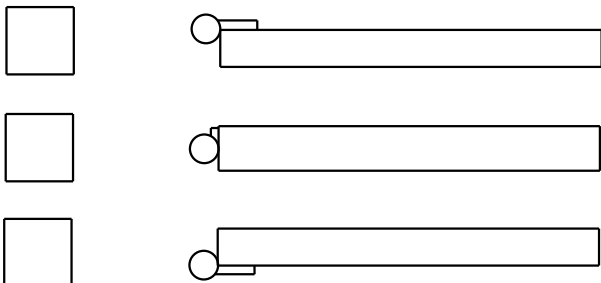


Application type :



Position of the hinge on the opening part :



The precision is important to obtain a reliable result

Weight of the opening part : Kg

Other informations (temperature, wet environment, dusty, stainless steel,...) :

.....

.....

.....

Rod end fitting :

Cylinder end fitting :



Please send back this document to :

info@bertholdmarx.com

